



# FUGATE FORD

PO BOX 217 • 526 ROOSEVELT AVE • ENUMCLAW, WA 98022  
PHN: 360-825-7731 • FAX: 360-825-1043  
TOLL FREE: 1-800-539-7595 • WWW.FUGATEFORD.COM

026211 #101120

## SERVICE DEPARTMENT HOURS:

7:00 AM - 6:00 PM  
MONDAY  
7:00 AM - 7:00 PM  
TUES - FRIDAY  
8:00 AM - 4:30 PM  
SATURDAY

# COPY

### SO # 450170

## SERVICE ORDER CUSTOMER COPY



Printed 01/21/2021 3:41:40 PM

User VINCE Page 5

<b>Customer No</b>	145648
Attn: MIKE ANDROSKO 206 379 7054	
JR HAYES CONSTRUCTION	
22430 SE 231 ST	
MAPLE VALLEY, WA 98038	
<b>Home</b> (425) 392-5722 <b>Bus</b>	
<b>Cell</b> (206) 379-7054 <b>Today</b> (425) 392-5722	
<b>Email</b> mandrosko@jrhayes.com	
<b>Term</b> CHARGE	

<b>Advisor</b> Vince Swanson	<b>Promised</b> 01/21/2021 5:00 PM	<b>Tag</b> B691
<b>Shop</b> S2	<b>Opened</b> 01/21/2021 8:11 AM	<b>Location</b> 1.21
<b>Priority</b> 10	<b>Cashiered</b>	<b>PO #</b> X

<b>License No</b> B73724Z	<b>Odometer In</b> 117030	<b>Odometer Out</b> 117042	<b>InServ Date</b> 11/08/2013	<b>Stock No</b>
<b>Year</b> 2013	<b>Make</b> FORD	<b>Model</b> F-150	<b>Model No</b> X1E	<b>Color</b> RACE RED
<b>Vehicle ID No</b> 1FTFX1EF3DFD49133	<b>Selling Dealer</b>	<b>Extended Warranty</b>	<b>Delivery Date</b>	
<b>Engine Size</b> 5.0L V8 FFV ENGINE		<b>Fleet #</b> P101		

Labor	Description	Type	Amount
607FT	PERFORM FRONT BRAKE SERVICE, REPLACE BRAKE PADS, CLEAN AND LUBE CALIPER SLIDE PINS, MACHINE ROTORS, INSPECT CALIPERS, AND ROAD TEST FOR PROPER OPERATION	CF	200.00

Part	Description	Req	Bin	Type	Price	Amount
BR 1414 B	KIT - BRAKE LINING	1	113	CRO	73.76	73.76

Technician	656 -	Parts Total	73.76
Cause	PERFORM FRONT BRAKE SERVICE, REPLACE BRAKE PADS, CLEAN AND LUBE CALIPER SLIDE PINS, MACHINE ROTORS, INSPECT CALIPERS, AND ROAD TEST FOR PROPER OPERATION	Labor Total	200.00
Correction	PERFORMED FRONT BRAKE SERVICE, REPLACED BRAKE PADS, CLEANED AND LUBED CALIPER SLIDE PINS, MACHINED ROTORS, INSPECTED CALIPERS, AND ROAD TESTED FOR PROPER OPERATION	<b>Request Total</b>	<b>273.76</b>

MIRROR,WRKS,TTF,19S07,WB,A/F

*Trans service  
oil change  
Recall  
Front Brakes*

Labor	470.30
Parts	479.41
Supplies	37.99
Discount	142.45
<b>SUB-TOTAL</b>	<b>845.25</b>
Tax	74.38
<b>TOTAL INVOICE</b>	<b>919.63</b>

TERMS CASH: UNLESS ARRANGEMENTS MADE. LABOR RATE BASED ON PER FLAT RATE HOUR.

QUALITY CARE FOR QUALITY CARS.

We have made a commitment to quality customer service. We pledge to do our best to ensure your satisfaction with your vehicle from pre-delivery through warranty and retail service. If you should experience difficulty with your vehicle, please let us know. We'll correct it to the best of our ability.

Behind this pledge is the dedication and commitment of the professional team of people working in this dealership. Whether you're dealing with our sales, parts or service department, you'll be taken care of.

**PARTS RETURN POLICY:** No return on all electrical parts. Special order parts must be pre-paid and will be held for 45 days from receipt and then returned to the manufacturer, reordering fees may apply. Returns-Cores- Must have original invoice and be in factory package. Restock fee is 25%.

**PRIVACY STATEMENT:** Ask us if you would like information about our Privacy Policy, including our service providers and their data processing in the U.S., which may be accessible to U.S. law enforcement and national security authorities. We provide this personal and transaction information to Ford Motor Company of Canada, Limited to enable Ford to administer your transaction, provide you with requested services, improve automotive related products and services by conducting customer surveys, and provide you with marketing material which may be of interest to you, as permitted by applicable laws. For the Ford Privacy Policy (www.ford.ca) including use of service providers and U.S. data storage or if you do not want to receive marketing or survey materials from Ford please call 1-800-565-FORD (3673).

Signature: \_\_\_\_\_

COPY



# FUGATE FORD

PO BOX 217 • 526 ROOSEVELT AVE • ENUMCLAW, WA 98022  
 PHN: 360-825-7731 • FAX: 360-825-1043  
 TOLL FREE: 1-800-539-7595 • WWW.FUGATEFORD.COM

## SERVICE DEPARTMENT HOURS:

7:00 AM - 6:00 PM  
 MONDAY  
 7:00 AM - 7:00 PM  
 TUES - FRIDAY  
 8:00 AM - 4:30 PM  
 SATURDAY

### SO # 450170

## SERVICE ORDER CUSTOMER COPY



Printed 01/21/2021 3:41:39 PM

User VINCE Page 1

**Customer No** 145648  
 Attn: MIKE ANDROSKO 206 379 7054  
 JR HAYES CONSTRUCTION  
 22430 SE 231 ST  
 MAPLE VALLEY, WA 98038

**Home** (425) 392-5722 **Bus**  
**Cell** (206) 379-7054 **Today** (425) 392-5722  
**Email** mandrosko@jrhayes.com

**Term** CHARGE

**Advisor** Vince Swanson **Promised** 01/21/2021 5:00 PM **Tag** B691  
**Shop** S2 **Opened** 01/21/2021 8:11 AM **Location** 1.21  
**Priority** 10 **Cashiered** **PO #** X

**License No** B73724Z **Odometer In** 117030 **Odometer Out** 117042 **InServ Date** 11/08/2013 **Stock No**  
**Year** 2013 **Make** FORD **Model** F-150 **Model No** X1E **Color** RACE RED  
**Vehicle ID No** 1FTFX1EF3DFD49133 **Selling Dealer** **Extended Warranty** **Delivery Date**  
**Engine Size** 5.0L V8 FFV ENGINE **Fleet #** P101

Request	Description	Job	CSR	Status
WRKS	PERFORM THE WORKS-OIL CHANGE, TIRE ROTATION AND MULTI-POINT INSPECTION - UP TO 6 QTS \$3.20 ADDL QTS	1	792	Original

Labor	Description	Type	Amount
WRKS	PERFORM THE WORKS-OIL CHANGE, TIRE ROTATION AND MULTI-POINT INSPECTION - UP TO 6 QTS \$3.20 ADDL QTS	CF	32.19
GBATT	GREEN BATTERY STATUS GOOD	CF	0.00
GTIRE	GREEN TIRES 7/32 OR GREATER	CF	0.00
RBK	RED BRAKES REQUIRE IMMEDIATE ATTENTION LESS THAN 3M)FRONT BRAKES PERFORMED AT THIS VISIT	CF	0.00

Part	Description	Req	Bin	Type	Price	Amount
XO 5W20 BSP	MOTORCRAFT 5W20 OIL	8	BULK	CRO	3.20	25.60
FL 500 S	FILTER ASY - OIL	1	LB0	CRO	6.00	6.00

Technician 656 -  
 Cause PERFORM THE WORKS-OIL CHANGE, TIRE ROTATION AND MULTI-POINT INSPECTION  
 Correction PERFORMED THE WORKS-OIL CHANGE 5W20 7.7Q, TIRE ROTATION PASS FRONT TO DRIVER REAR FOR BEST LAYOUT, 35PSI 150FTLBS AND MULTI-POINT INSPECTION

Parts Total	31.60
Labor Total	32.19
<b>Request Total</b>	<b>63.79</b>

Request	Description	Job	CSR	Status
FSA	FSA 19S07 6R80 SUDDEN TRANSMISSION DOWNSHIFT POWERTRAIN CONTROL MODULE PROGRAMMING	2	792	Original

Labor	Description	Type	Amount
FSA	FSA 19S07 6R80 SUDDEN TRANSMISSION DOWNSHIFT POWERTRAIN CONTROL MODULE PROGRAMMING	WF	

Technician 656 -	Parts Total	0.00
	Labor Total	0.00

TERMS CASH: UNLESS ARRANGEMENTS MADE. LABOR RATE BASED ON PER FLAT RATE HOUR.

QUALITY CARE FOR QUALITY CARS.

We have made a commitment to quality customer service. We pledge to do our best to ensure your satisfaction with your vehicle from pre-delivery through warranty and retail service. If you should experience difficulty with your vehicle, please let us know. We'll correct it to the best of our ability.

Behind this pledge is the dedication and commitment of the professional team of people working in this dealership. Whether you're dealing with our sales, parts or service department, you'll be taken care of.

PARTS RETURN POLICY: No return on all electrical parts. Special order parts must be pre-paid and will be held for 45 days from receipt and then returned to the manufacturer, reordering fees may apply. Returns-Cores- Must have original invoice and be in factory package. Restock fee is 25%.

PRIVACY STATEMENT: Ask us if you would like information about our Privacy Policy, including our service providers and their data processing in the U.S., which may be accessible to U.S. law enforcement and national security authorities. We provide this personal and transaction information to Ford Motor Company of Canada, Limited to enable Ford to administer your transaction, provide you with requested services, improve automotive related products and services by conducting customer surveys, and provide you with marketing material which may be of interest to you, as permitted by applicable laws. For the Ford Privacy Policy (www.ford.ca) including use of service providers and U.S. data storage or if you do not want to receive marketing or survey materials from Ford please call 1-800-565-FORD (3673).

Signature: \_\_\_\_\_





# FUGATE FORD

PO BOX 217 • 526 ROOSEVELT AVE • ENUMCLAW, WA 98022  
PHN: 360-825-7731 • FAX: 360-825-1043  
TOLL FREE: 1-800-539-7595 • WWW.FUGATEFORD.COM

## SERVICE DEPARTMENT HOURS:

7:00 AM - 6:00 PM  
MONDAY  
7:00 AM - 7:00 PM  
TUES - FRIDAY  
8:00 AM - 4:30 PM  
SATURDAY

### SO # 450170

## SERVICE ORDER CUSTOMER COPY



Printed 01/21/2021 3:41:39 PM

User VINCE Page 2

<b>Customer No</b>	145648
Attn: MIKE ANDROSKO 206 379 7054	
JR HAYES CONSTRUCTION	
22430 SE 231 ST	
MAPLE VALLEY, WA 98038	
<b>Home</b>	(425) 392-5722
<b>Bus</b>	
<b>Cell</b>	(206) 379-7054
<b>Today</b>	(425) 392-5722
<b>Email</b>	mandrosko@jrhayes.com
<b>Term</b> CHARGE	

<b>Advisor</b>	Vince Swanson	<b>Promised</b>	01/21/2021 5:00 PM	<b>Tag</b>	B691
<b>Shop</b>	S2	<b>Opened</b>	01/21/2021 8:11 AM	<b>Location</b>	1.21
<b>Priority</b>	10	<b>Cashiered</b>		<b>PO #</b>	X

<b>License No</b>	<b>Odometer In</b>	<b>Odometer Out</b>	<b>InServ Date</b>	<b>Stock No</b>
B73724Z	117030	117042	11/08/2013	
<b>Year</b>	<b>Make</b>	<b>Model</b>	<b>Model No</b>	<b>Color</b>
2013	FORD	F-150	X1E	RACE RED
<b>Vehicle ID No</b>	<b>Selling Dealer</b>	<b>Extended Warranty</b>	<b>Delivery Date</b>	
1FTFX1EF3DFD49133				
<b>Engine Size</b>	5.0L V8 FFV ENGINE	<b>Fleet #</b>	P101	

Cause	FSA 19S07 6R80 SUDDEN TRANSMISSION DOWNSHIFT POWERTRAIN CONTROL MODULE PROGRAMMING	<b>Request Total</b>	<b>0.00</b>
Correction	REPROGRAMMED PCM, CLEARED CODES		

Request	Description	Job	CSR	Status
611M	TRANSMISSION SERVICE CAR, SUV AND F150 TRUCK - PERFORM TRANSMISSION FLUID SERVICE USING UP TO 15 QUARTS OF MERCON 5 TRANSMISSION FLUID, VERIFY PROPER FLUID LEVEL AND ROAD TEST TO VERIFY PROPER TRANSMISSION OPERATION. (ADDITIONAL COST FOR SYNTHETIC OIL OR ADDITIONAL OIL.)(WITH JUSTICE BROTHERS ADDITIVE)	3	792	Original

Labor	Description	Type	Amount
611M	TRANSMISSION SERVICE CAR, SUV AND F150 TRUCK - PERFORM TRANSMISSION FLUID SERVICE USING UP TO 15 QUARTS OF MERCON 5 TRANSMISSION FLUID, VERIFY PROPER FLUID LEVEL AND ROAD TEST TO VERIFY PROPER TRANSMISSION OPERATION. (ADDITIONAL COST FOR SYNTHETIC OIL OR ADDITIONAL OIL.)(WITH JUSTICE BROTHERS ADDITIVE)	CF	107.15

Part	Description	Req	Bin	Type	Price	Amount
XT 10 QLVC	OIL - AUTOMATIC TRANSMISSION	20	B/RM	CRO	5.56	111.20
59P	ATF SUPPLEMENT	1	LB2	CRO	34.69	34.69

Technician	656 -	<b>Parts Total</b>	<b>145.89</b>
Cause	TRANSMISSION SERVICE CAR, SUV AND F150 TRUCK - PERFORM TRANSMISSION FLUID SERVICE USING UP TO 15 QUARTS OF MERCON 5 TRANSMISSION FLUID, VERIFY PROPER FLUID LEVEL AND ROAD TEST TO VERIFY PROPER TRANSMISSION OPERATION. (ADDITIONAL COST FOR SYNTHETIC OIL OR ADDITIONAL OIL.)(WITH JUSTICE BROTHERS ADDITIVE)	<b>Labor Total</b>	<b>107.15</b>
		<b>Request Total</b>	<b>253.04</b>
Correction	PERFORMED TRANSMISSION FLUID SERVICE USING 20 QUARTS OF TRANSMISSION FLUID, VERIFIED PROPER FLUID LEVEL AND ROAD TESTED TO VERIFY PROPER TRANSMISSION OPERATION.		

Request	Description	Job	CSR	Status
WB	CUSTOMER REQUESTS REPLACE WIPER BLADES - MULTI-FIT BLADES	4	792	Original

TERMS CASH: UNLESS ARRANGEMENTS MADE. LABOR RATE BASED ON PER FLAT RATE HOUR.

QUALITY CARE FOR QUALITY CARS.

We have made a commitment to quality customer service. We pledge to do our best to ensure your satisfaction with your vehicle from pre-delivery through warranty and retail service. If you should experience difficulty with your vehicle, please let us know. We'll correct it to the best of our ability.

Behind this pledge is the dedication and commitment of the professional team of people working in this dealership. Whether you're dealing with our sales, parts or service department, you'll be taken care of.

**PARTS RETURN POLICY:** No return on all electrical parts. Special order parts must be pre-paid and will be held for 45 days from receipt and then returned to the manufacturer, reordering fees may apply. Returns-Cores- Must have original invoice and be in factory package. Restock fee is 25%.

**PRIVACY STATEMENT:** Ask us if you would like information about our Privacy Policy, including our service providers and their data processing in the U.S., which may be accessible to U.S. law enforcement and national security authorities. We provide this personal and transaction information to Ford Motor Company of Canada, Limited to enable Ford to administer your transaction, provide you with requested services, improve automotive related products and services by conducting customer surveys, and provide you with marketing material which may be of interest to you, as permitted by applicable laws. For the Ford Privacy Policy (www.ford.ca) including use of service providers and U.S. data storage or if you do not want to receive marketing or survey materials from Ford please call 1-800-565-FORD (3673).

Signature: \_\_\_\_\_





# FUGATE FORD

PO BOX 217 • 526 ROOSEVELT AVE • ENUMCLAW, WA 98022  
 PHN: 360-825-7731 • FAX: 360-825-1043  
 TOLL FREE: 1-800-539-7595 • WWW.FUGATEFORD.COM

## SERVICE DEPARTMENT HOURS:

7:00 AM - 6:00 PM  
 MONDAY  
 7:00 AM - 7:00 PM  
 TUES - FRIDAY  
 8:00 AM - 4:30 PM  
 SATURDAY

### SO # 450170

## SERVICE ORDER CUSTOMER COPY



Printed 01/21/2021 3:41:40 PM

User VINCE Page 3

<b>Customer No</b>	145648
Attn: MIKE ANDROSKO 206 379 7054	
JR HAYES CONSTRUCTION	
22430 SE 231 ST	
MAPLE VALLEY, WA 98038	
<b>Home</b>	(425) 392-5722
<b>Cell</b>	(206) 379-7054
<b>Email</b>	mandrosko@jrhayes.com
<b>Bus</b>	(425) 392-5722
<b>Today</b>	(425) 392-5722
<b>Term</b> CHARGE	

<b>Advisor</b>	Vince Swanson	<b>Promised</b>	01/21/2021 5:00 PM	<b>Tag</b>	B691
<b>Shop</b>	S2	<b>Opened</b>	01/21/2021 8:11 AM	<b>Location</b>	1.21
<b>Priority</b>	10	<b>Cashiered</b>		<b>PO #</b>	X

<b>License No</b>	B73724Z	<b>Odometer In</b>	117030	<b>Odometer Out</b>	117042	<b>InServ Date</b>	11/08/2013	<b>Stock No</b>	
<b>Year</b>	2013	<b>Make</b>	FORD	<b>Model</b>	F-150	<b>Model No</b>	X1E	<b>Color</b>	RACE RED
<b>Vehicle ID No</b>	1FTFX1EF3DFD49133	<b>Selling Dealer</b>		<b>Extended Warranty</b>		<b>Delivery Date</b>			
<b>Engine Size</b>	5.0L V8 FFV ENGINE	<b>Fleet #</b>	P101						

Labor	Description	Type	Amount
WB	CUSTOMER REQUESTS REPLACE WIPER BLADES - MULTI-FIT BLADES	CF	7.95

Part	Description	Req	Bin	Type	Price	Amount
WW 2202 PF	BLADE ASY - WIPER	1	P/S	CRO	13.98	13.98
WW 2002 PF	BLADE ASY - WIPER	1	P/S	CRO	13.98	13.98

Technician	Cause	Correction	Parts Total	Labor Total	Request Total
656 -	CUSTOMER REQUESTS REPLACE WIPER BLADES - MULTI-FIT BLADES	REPLACED WIPER BLADES - MULTI-FIT BLADES	27.96	7.95	35.91

Request	Description	Job	CSR	Status
626	REPLACE ENGINE AIR FILTER IF NECESSARY	5	792	Original

Labor	Description	Type	Amount
626	REPLACE ENGINE AIR FILTER IF NECESSARY	CF	8.11

Part	Description	Req	Bin	Type	Price	Amount
FA 1883	ELEMENT ASY - AIR CLEANER	1	LB5	CRO	20.99	20.99

Technician	Cause	Correction	Parts Total	Labor Total	Request Total
656 -	ENGINE AIR FILTER RESTRICTED	REPLACED ENGINE AIR FILTER	20.99	8.11	29.10

Request	Description	Job	CSR	Status
BODY	GUEST STATES LEFT MIRROR GLAS BROKEN, OK TO ORDER NECESSARY PARTS`	6	792	Original

Labor	Description	Type	Amount
BODY	GUEST STATES LEFT MIRROR GLAS BROKEN, OK TO ORDER NECESSARY PARTS`	CF	75.00

Part	Description	Req	Bin	Type	Price	Amount
BL3Z 17683 BA	MIRROR ASY - REAR VIEW OUTER	1		CRO	148.95	148.95

TERMS CASH: UNLESS ARRANGEMENTS MADE. LABOR RATE BASED ON PER FLAT RATE HOUR.

QUALITY CARE FOR QUALITY CARS.

We have made a commitment to quality customer service. We pledge to do our best to ensure your satisfaction with your vehicle from pre-delivery through warranty and retail service. If you should experience difficulty with your vehicle, please let us know. We'll correct it to the best of our ability.

Behind this pledge is the dedication and commitment of the professional team of people working in this dealership. Whether you're dealing with our sales, parts or service department, you'll be taken care of.

**PARTS RETURN POLICY:** No return on all electrical parts. Special order parts must be pre-paid and will be held for 45 days from receipt and then returned to the manufacturer, reordering fees may apply. Returns-Cores- Must have original invoice and be in factory package. Restock fee is 25%.

**PRIVACY STATEMENT:** Ask us if you would like information about our Privacy Policy, including our service providers and their data processing in the U.S., which may be accessible to U.S. law enforcement and national security authorities. We provide this personal and transaction information to Ford Motor Company of Canada, Limited to enable Ford to administer your transaction, provide you with requested services, improve automotive related products and services by conducting customer surveys, and provide you with marketing material which may be of interest to you, as permitted by applicable laws. For the Ford Privacy Policy (www.ford.ca) including use of service providers and U.S. data storage or if you do not want to receive marketing or survey materials from Ford please call 1-800-565-FORD (3673).

Signature: \_\_\_\_\_







# FUGATE FORD

PO BOX 217 • 526 ROOSEVELT AVE • ENUMCLAW, WA 98022  
 PHN: 360-825-7731 • FAX: 360-825-1043  
 TOLL FREE: 1-800-539-7595 • WWW.FUGATEFORD.COM

## SERVICE DEPARTMENT HOURS:

7:00 AM - 6:00 PM  
 MONDAY  
 7:00 AM - 7:00 PM  
 TUES - FRIDAY  
 8:00 AM - 4:30 PM  
 SATURDAY

### SO # 450170

## SERVICE ORDER CUSTOMER COPY



Printed 01/21/2021 3:41:40 PM

User VINCE Page 4

**Customer No** 145648  
 Attn: MIKE ANDROSKO 206 379 7054  
 JR HAYES CONSTRUCTION  
 22430 SE 231 ST  
 MAPLE VALLEY, WA 98038

**Home** (425) 392-5722 **Bus**  
**Cell** (206) 379-7054 **Today** (425) 392-5722  
**Email** mandrosko@jrhayes.com

**Term** CHARGE

**Advisor** Vince Swanson **Promised** 01/21/2021 5:00 PM **Tag** B691  
**Shop** S2 **Opened** 01/21/2021 8:11 AM **Location** 1.21  
**Priority** 10 **Cashiered** **PO #** X

License No	Odometer In	Odometer Out	InServ Date	Stock No
B73724Z	117030	117042	11/08/2013	
Year	Make	Model	Model No	Color
2013	FORD	F-150	X1E	RACE RED
Vehicle ID No	Selling Dealer	Extended Warranty	Delivery Date	
1FTFX1EF3DFD49133				
Engine Size	5.0L V8 FFV ENGINE		Fleet #	P101

Technician	656 -	Parts Total	148.95
Cause	GUEST STATES LEFT MIRROR GLAS BROKEN, OK TO ORDER NECESSARY PARTS`	Labor Total	75.00
Correction	REMOVED LH FRONT DOOR TRIM PANEL FOR ACCESS TO MIRROR NUTS, REMOVED AND REPLACED MIRROR. REINSTALLED DOOR TRIM PANEL, VERIFIED PROPER OPERATION AFTER INSTALL	<b>Request Total</b>	<b>223.95</b>

Request	Description	Job	CSR	Status
99PX	MULTIPOINT INSPECTION-CAR	7	792	Approved
		Parts Total		0.00
		Labor Total		0.00
		<b>Request Total</b>		<b>0.00</b>

Request	Description	Job	CSR	Status
MAINT	REPLACE RIGHT FOGLAMP BULB, RIGHT REVESE LAMP BULB, AND LEFT LIC PLATE BULB,	8	792	Approved
<b>Labor</b>	<b>Description</b>		<b>Type</b>	<b>Amount</b>
MAINT	REPLACE RIGHT FOGLAMP BULB, RIGHT REVESE LAMP BULB, AND LEFT LIC PLATE BULB,		CF	39.90

Part	Description	Req	Bin	Type	Price	Amount
C2AZ 13466 C	BULB	1	KAR	CRO	0.89	0.89
4L3Z 13466 AB	BULB	1	KAR	CRO	7.34	7.34
FL3Z 13466 A	BULB	1	125	CRO	22.03	22.03

Technician	656 -	Parts Total	30.26
Cause	NOTICED BULBS OUT PER INSPECTION	Labor Total	39.90
Correction	REPLACED BURNT OUT BULBS AND VERIFIED PROPER OPERATION	<b>Request Total</b>	<b>70.16</b>

Request	Description	Job	CSR	Status
607FT	PERFORM FRONT BRAKE SERVICE, REPLACE BRAKE PADS, CLEAN AND LUBE CALIPER SLIDE PINS, MACHINE ROTORS, INSPECT CALIPERS, AND ROAD TEST FOR PROPER OPERATION	9	792	Approved

TERMS CASH: UNLESS ARRANGEMENTS MADE. LABOR RATE BASED ON PER FLAT RATE HOUR.

QUALITY CARE FOR QUALITY CARS.

We have made a commitment to quality customer service. We pledge to do our best to ensure your satisfaction with your vehicle from pre-delivery through warranty and retail service. If you should experience difficulty with your vehicle, please let us know. We'll correct it to the best of our ability.

Behind this pledge is the dedication and commitment of the professional team of people working in this dealership. Whether you're dealing with our sales, parts or service department, you'll be taken care of.

**PARTS RETURN POLICY:** No return on all electrical parts. Special order parts must be pre-paid and will be held for 45 days from receipt and then returned to the manufacturer, reordering fees may apply. Returns-Cores- Must have original invoice and be in factory package. Restock fee is 25%.

**PRIVACY STATEMENT:** Ask us if you would like information about our Privacy Policy, including our service providers and their data processing in the U.S., which may be accessible to U.S. law enforcement and national security authorities. We provide this personal and transaction information to Ford Motor Company of Canada, Limited to enable Ford to administer your transaction, provide you with requested services, improve automotive related products and services by conducting customer surveys, and provide you with marketing material which may be of interest to you, as permitted by applicable laws. For the Ford Privacy Policy (www.ford.ca) including use of service providers and U.S. data storage or if you do not want to receive marketing or survey materials from Ford please call 1-800-565-FORD (3673).

Signature: \_\_\_\_\_





1500 18th Avenue NW Issaquah, WA 98027  
 (425) 392-6900 - Fax: (425) 427-0883  
 service@evergreenford.com

SERVICE DEPARTMENT HOURS  
 7:30 a.m. to 6:00 p.m.  
 Monday - Friday  
 8:00 a.m. - 4:00 p.m. Saturday

P101

R/O Open Date	R/O Number
11/13/18	6212380/1
R/O Close Date	Status
11/14/18	Pre-Invoice
Mileage In	Mileage Out
88609	88609
Service Advisor / Tag #	
SOPHIA VALDEZ/1645	
Vehicle Identification Number	
1FTFX1EF3DFD49133	
Delivery Date	In-Service Date
11/08/13	11/08/13
Color	License Number
RACE RED	B73724Z

JR HAYES & SONS INC 22430 SE 231ST STREET MAPLE VALLEY, WA 98038			Work Phone	Vehicle Identification Number	
			425-392-5722	1FTFX1EF3DFD49133	
			Home Phone	Delivery Date	In-Service Date
			425-392-5722	11/08/13	11/08/13
Year	Make	Model	Body	Color	License Number
2013	FORD TRUCK	F-150 STX	201A CB 145	RACE RED	B73724Z
13-3342					

DESCRIPTION OF SERVICE AND PARTS	AMOUNT
Email: MANDROSKO@JRHAYES.COM	
#1 - 06FOZDIAG: *ENGINE DIAGNOSIS AT TIMES WILL CRANK NO START. CUSTOMER NOTED THAT #27 FUSE LEG WILL BE BURNT AND WHEN HE REPLACES IT WILL START RIGHT AWAY. CHECK AND ADVISE. Tech: MICHAEL REED (MR1) 72.50 Tech: MICHAEL REED (MR1) 145.00 Installed WT 56872 :KIT - TERMINAL 1@22.87 22.87 VERIFIED CUSTOMER CONCERN. PERFORMED TSB 15-0137. RELOCATED FUEL PUMP FUSE. TESTED AND VERIFIED P ROPER OPERATION AT THIS TIME Sub Total: 240.37	
#2 - 99P: MULTI POINT INSPECTION Tech: MICHAEL REED (MR1) INSPECTION COMPLETE	Internal
Please Note: CC CREATED 2018-11-12 09:12:00AM TAKEN BY JAN FRAZIER	
***** * NOTE: ALL FORD PARTS AND LABOR IS WARRANTED FOR 24MONTHS * * FROM THE FIRST PART WARRANTY START DATE. THIS APPLIES * * TO PURCHASES AFTER 10/01/2013 *LABOR WARRANTY ON * * REPAIR SHOP SALES ONLY* * *****	

TERMS: STRICTLY CASH UNLESS ARRANGEMENTS ARE MADE. "I hereby authorize the repair work hereinafter to be done along with the necessary material and agree that you are not responsible for loss or damage to vehicle or articles left in the vehicle in case of fire, theft, or any other cause beyond your control or for any delays caused by unavailability of parts or delays in parts shipments by the supplier or transporter. I hereby grant you or your employees permission to operate the vehicle herein described on streets, highways, or elsewhere for the purpose of testing and/or inspection. An express mechanic's lien is hereby acknowledged on above vehicle to secure the amount of repairs thereto."	LABOR	217.50
	PARTS	22.87
	DEDUCTIBLE	.00
	SUBLET	.00
	SHOP SUPPLIES	.00
	HAZARDOUS MATERIALS	.00
	SALES TAX OR TAX I.D.	24.04
	SPECIAL ORDER DEPOSIT	.00
	DISCOUNTS	.00
	TOTAL DUE	264.41

DISCLAIMER OF WARRANTIES. Any warranties on the products sold hereby are those made by the manufacturer. The seller hereby expressly disclaims all warranties either express or implied, including any implied warranty of merchantability or fitness for a particular purpose, and the seller neither assumes nor authorizes any other person to assume for it any liability in connection with the sale of said products. Any limitation contained herein does not apply where prohibited by law.

NO RETURN ON ELECTRICAL OR SAFETY ITEMS OR SPECIAL ORDERS.

X





# VEHICLE CHECK-UP

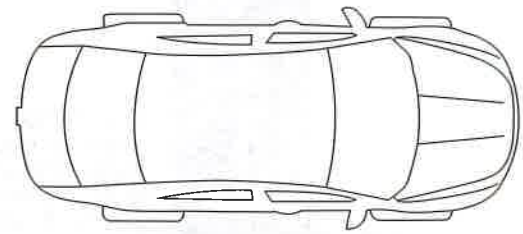
MULTI-POINT INSPECTION AS RECOMMENDED BY FORD MOTOR COMPANY

**CUSTOMER INFORMATION**

Date: TR Hayes RO/Tag#: \_\_\_\_\_  
 Name: TR Hayes Phone#: ( ) - \_\_\_\_\_  
 Email: \_\_\_\_\_  
 VIN#: \_\_\_\_\_  
 Year/Make/Model: \_\_\_\_\_ Plate#: \_\_\_\_\_  
 Odometer: \_\_\_\_\_ Inspect. Month: \_\_\_\_\_  
 Owner Advantage Rewards\*#: \_\_\_\_\_ Service Balance: \_\_\_\_\_  
 Ford Protected\* Extended Service Plan: YES  NO  FordPass Member? YES  NO

**EXTERIOR BODY**

May contribute to vehicle efficiency and promote a greener environment  
 Check and OK at this time  May require future attention  Requires immediate attention



Note any exterior body damage or defects on diagram

**SCHEDULED MAINTENANCE**

Serviced	DUE	Serviced	DUE
<input type="checkbox"/>	<input type="checkbox"/> THE WORKS	<input type="checkbox"/>	<input type="checkbox"/> Engine Air Filter <i>leaf</i>
<input type="checkbox"/>	<input type="checkbox"/> Oil Change & Filter <i>leaf</i>	<input type="checkbox"/>	<input type="checkbox"/> Engine Coolant
<input type="checkbox"/>	<input type="checkbox"/> Tire Rotation <i>leaf</i>	<input type="checkbox"/>	<input type="checkbox"/> Transmission Fluid &/or Filter
<input checked="" type="checkbox"/>	<input type="checkbox"/> Multi-Point Inspection	<input type="checkbox"/>	<input type="checkbox"/> Cabin Air Filter N/A <i>leaf</i>
<input type="checkbox"/>	<input type="checkbox"/> Fuel Filter N/A	<input type="checkbox"/>	<input type="checkbox"/> Spark Plugs <i>leaf</i>

K Scheduled Maintenance

This is only a partial list maintenance items and is NOT all-inclusive. Please consult your Owner's Manual or visit FordOwner.com for vehicle specific maintenance requirements. N/A is circled if certain part is not applicable.

**FLUIDS**

OK	FILL	OK	FILL	OK	FILL
<input checked="" type="checkbox"/>	<input type="checkbox"/>	Engine Oil	<input checked="" type="checkbox"/>	<input checked="" type="checkbox"/>	Power Steering <i>DETECT</i>
<input checked="" type="checkbox"/>	<input type="checkbox"/>	Brake Reservoir	<input checked="" type="checkbox"/>	<input checked="" type="checkbox"/>	Window Washer
<input checked="" type="checkbox"/>	<input type="checkbox"/>	Transmission (if equipped with dipstick)	<input checked="" type="checkbox"/>	<input checked="" type="checkbox"/>	Coolant Recovery Reservoir

**LIGHTS/HORN/WIPERS**

Serviced	Serviced	Serviced
<input type="checkbox"/>	<input checked="" type="checkbox"/> Horn	<input type="checkbox"/>
<input type="checkbox"/>	<input checked="" type="checkbox"/> Front Wipers	<input type="checkbox"/>
<input type="checkbox"/>	<input checked="" type="checkbox"/> Windshield	<input checked="" type="checkbox"/> Rear Wipers (if equipped)
<input type="checkbox"/>	<input checked="" type="checkbox"/> Front Lighting	<input type="checkbox"/>
<input type="checkbox"/>	<input checked="" type="checkbox"/> Rear Lighting - 4-Way Flasher, Taillights, Stop Lights, Plate Lights	<input type="checkbox"/>

Headlights, Parking Lights, Turn Signals, Fog Lights, 4-Way Flasher

**UNDER HOOD**

**Battery State of Health**

Serviced

0% 100%

Factory spec cold cranking amps \_\_\_\_\_ Actual cold cranking amps \_\_\_\_\_

**Battery Condition**

<input type="checkbox"/>	<input checked="" type="checkbox"/>	<input type="checkbox"/>	Cooling System - Hoses and Piping
<input type="checkbox"/>	<input checked="" type="checkbox"/>	<input type="checkbox"/>	Engine Air Filter
<input type="checkbox"/>	<input checked="" type="checkbox"/>	<input type="checkbox"/>	Engine Drive Belt(s)
<input type="checkbox"/>	<input checked="" type="checkbox"/>	<input type="checkbox"/>	Cabin Air Filter

**TIRES**

Serviced	Tire Tread Depth	7/32" or Greater / Over 5mm	6/32" to 4/32" / 5mm to 3mm	3/32" or Less / Less than 3mm
<input type="checkbox"/>	<input checked="" type="checkbox"/> Left Front Tire Condition:	Size: _____	Tread Depth: <u>13</u>	Tire PSI: _____ Age: *
<input type="checkbox"/>	<input checked="" type="checkbox"/> Right Front Tire Condition:	Size: _____	Tread Depth: <u>13</u>	Tire PSI: _____ Age: *
<input type="checkbox"/>	<input checked="" type="checkbox"/> Left Rear Tire Condition:	Size: _____	Tread Depth: <u>13</u>	Tire PSI: _____ Age: *
<input type="checkbox"/>	<input checked="" type="checkbox"/> Right Rear Tire Condition:	Size: _____	Tread Depth: <u>13</u>	Tire PSI: _____ Age: *
<input type="checkbox"/>	<input checked="" type="checkbox"/> Full Size/Temp Spare Tire Condition:	Size: _____	Tread Depth: _____	Tire PSI: _____ Age: *

Spare Not Inspected:  No Spare Tire  Other/Comments: \_\_\_\_\_

\*Tires should be replaced after 6 years.

**BRAKES**

Serviced	Brake Lining	Over 5mm or 7/32" (Disc) or Over 2mm or 3/32" (Drum)	4mm to 5mm or 4/32" to 7/32" (Disc) or 1.01 to 2mm or 2/32" to 3/32" (Drum)	3mm or Less or 4/32" (Disc) or 1mm or 2/32" or Less (Drum)	NOT INSPECTED
<input type="checkbox"/>	<input checked="" type="checkbox"/> Left Front Brake	Pad Thickness: _____	Rotor Actual: _____	Rotor Minimum Spec: _____	<input type="checkbox"/>
<input type="checkbox"/>	<input checked="" type="checkbox"/> Right Front Brake	Pad Thickness: _____	Rotor Actual: _____	Rotor Minimum Spec: _____	<input type="checkbox"/>
<input type="checkbox"/>	<input checked="" type="checkbox"/> Left Rear Brake	Pad/Shoe Thickness: _____	Rotor/Drum Actual: _____	Rotor/Drum Minimum Spec: _____	<input type="checkbox"/>
<input type="checkbox"/>	<input checked="" type="checkbox"/> Right Rear Brake	Pad/Shoe Thickness: _____	Rotor/Drum Actual: _____	Rotor/Drum Minimum Spec: _____	<input type="checkbox"/>

**UNDERCARRIAGE**

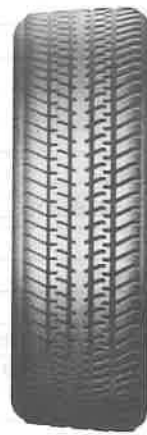
<input type="checkbox"/>	<input checked="" type="checkbox"/> Left Front suspension, struts, steering linkage, brake lines/hoses	Notes: _____
<input type="checkbox"/>	<input checked="" type="checkbox"/> Right Front suspension, struts, steering linkage, brake lines/hoses	Notes: _____
<input type="checkbox"/>	<input checked="" type="checkbox"/> Left Rear suspension, shocks/struts, linkage, brake lines/hoses	Notes: _____
<input type="checkbox"/>	<input checked="" type="checkbox"/> Right Rear suspension, shocks/struts, linkage, brake lines/hoses	Notes: _____
<input type="checkbox"/>	<input checked="" type="checkbox"/> Exhaust System	Notes: _____
<input type="checkbox"/>	<input checked="" type="checkbox"/> Drivetrain	Notes: _____

	DESCRIPTION	PARTS	LABOR	TOTAL ESTIMATE
<b>RELATED</b>				
<b>IMMEDIATE</b>				
<b>MAINTENANCE</b>				
	<b>TOTAL</b>			

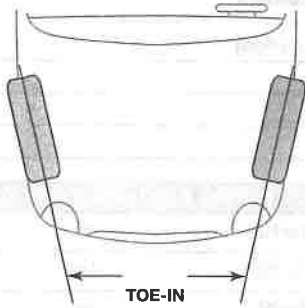
Advisor: \_\_\_\_\_ Customer Signature: \_\_\_\_\_  
 Technician: [Signature] Technician: \_\_\_\_\_



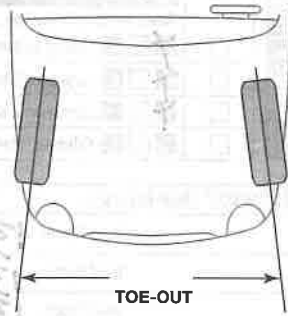
**TOE WEAR**  
 "Feathered" tread wear pattern suggests tires are turned in or out too far. Signals need for alignment. May be caused by worn shocks/struts.



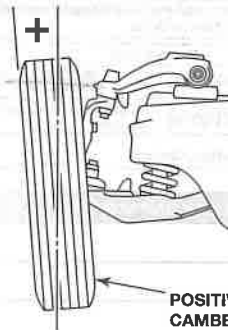
**CAMBER WEAR**  
 Exaggerated wear on inner or outer edge of tire indicates tires are tilted in or out too far (from vertical). Signals need for alignment. May be caused by worn shocks/struts.



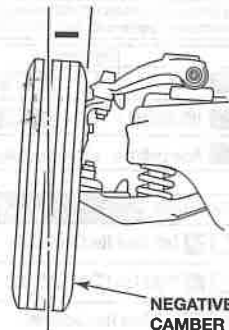
TOE-IN



TOE-OUT

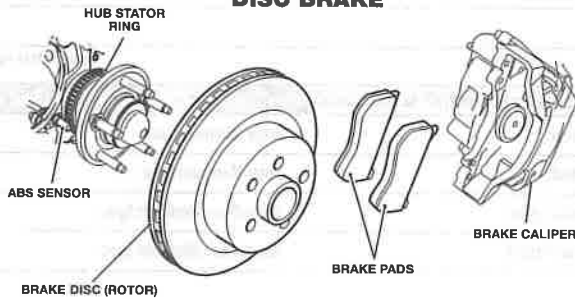


POSITIVE CAMBER

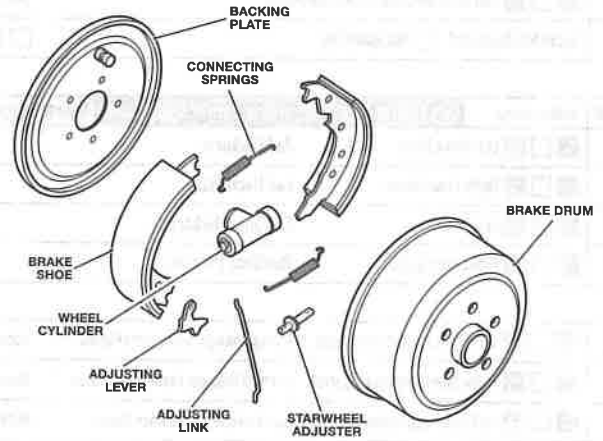


NEGATIVE CAMBER

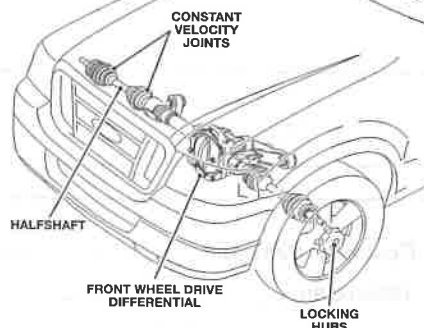
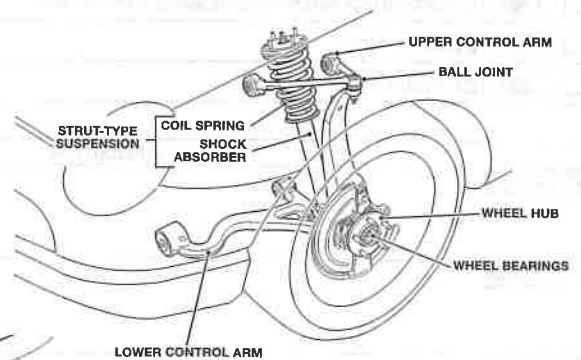
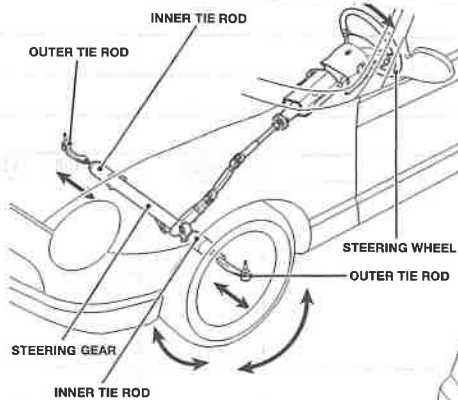
## DISC BRAKE



## DRUM BRAKE



## SUSPENSION



Handwritten signature or mark.









www.jiffylube.com

Jiffy Lube # 2074
TEAM CAR CARE WEST, LLC
309 South Washington
Kent, WA 98032
(253) 852-8515

WORK ORDER #: 2
DATE: 11/10/19 09:52 AM
INVOICE #: 22832451

11-13-19

CUSTOMER INFORMATION

JR HAYES
22430 SE 231ST ST
MAPLE VALLEY, WA, 98038
(206) 550-2060

VEHICLE INFORMATION

2013
FORD TRUCKS
F150 PICKUP
5.0L 8Cyl Alternate Fuel (IF) Fuel Injected

LICENSE PLATE: WA-B73724Z
VIN: 1FTFX1EF3DFD49133
MILEAGE: 102,267
OIL CHANGE INTERVAL: 3000

FLEET INFORMATION

FLEET: JRHS224 JR HAYES AND SONS INC
AUTHORIZER NAME: TONY
VEHICLE/UNIT NUMBER: P101

DRIVER NAME: JR
VIN NUMBER: 1FTFX1EF3DFD49133

Remit To:
Local Fleets
PO BOX 11407 DEPT# 5938
BIRMINGHAM,AL 35246

COPY

Table with 3 columns: DESCRIPTION, QTY, PRICE. Includes items like SIGNATURE SERVICE OIL CHANGE, OIL FILTER, PZL CONV SAE 5W30 SN/GF5, OIL AND FILTER DISPOSAL.

SERVICE CHECKLIST

Table with 4 columns: Item, Status, Action, Result. Includes OIL LEVEL PRIOR TO SERVICE, CHANGE OIL FILTER, CHECK WIPER BLADES, etc.

SERVICE COMMENTS

QUALITY INSPECTION BY K. JIMERSON JR
FILTER LOCATION PREVENTS 100% CLEANUP
REPLACED OIL DRAIN PLUG GASKET
REPLACED OIL DRAIN PLUG
THANK YOU FOR CHOOSING JIFFY LUBE !!!

SERVICE HISTORY

Table with 4 columns: DATE, LOCATION, MILEAGE, SERVICES. Shows service history from 09/13/2017 to 07/28/2019.

PAYMENT INFORMATION

Table with 2 columns: Description, Amount. Includes TAXABLE, NONTAXABLE, GROSS SALES, NET SALES, SALES TAX, TOTAL DUE.

SERVICES PERFORMED BY:

CSA: KEVIN J. TEAM LEAD: KEVIN J.
UPPER BAY: KEVIN J. LOWER BAY: COLIN R.
COURTESY: KEVIN J. CASHIER: SEBASTIAN L.

Handwritten signature

Please Sign Here

AUTHORIZED AND RECEIVED BY

Cardholder acknowledges receipt of goods and/or services in the amount of the Total shown and agrees to perform the obligations set forth in the Cardholder's agreement with the issuer.

MESSAGES

THANK YOU FOR CHOOSING JIFFY LUBE
PLEASE LEAVE US A GOOGLE REVIEW, GREATLY APPRECIATED!!!
DISPOSAL FEE HELPS OFFSET COST INCURRED TO DISPOSE
AND RECYCLE WASTE FLUIDS AND MAY INCLUDE PROFIT

BY SIGNING, GUEST AGREES TO TERMS AND
CONDITIONS ON THE BACK OF THIS INVOICE.

30156444

ALL PARTS ARE NEW UNLESS OTHERWISE INDICATED

COPY



www.jiffylube.com

Jiffy Lube # 2074
TEAM CAR CARE WEST, LLC
309 South Washington
Kent, WA 98032
(253) 852-8515

WORK ORDER #: 7
DATE: 07/28/19 10:02 AM
INVOICE #: 22829084

7-29-19

02 6211 P101 120

CUSTOMER INFORMATION

JR HAYES
22430 SE 231ST ST
MAPLE VALLEY, WA, 98038
(206) 550-2060

VEHICLE INFORMATION

2013
FORD TRUCKS
F150 PICKUP
5.0L 8Cyl Alternate Fuel ([F]) Fuel Injected

LICENSE PLATE: WA-B73724Z
VIN: 1FTFX1EF3DFD49133
MILEAGE: 98,873
OIL CHANGE INTERVAL: 3000

FLEET INFORMATION

FLEET: JRHS224 JR HAYES AND SONS INC
DRIVER NAME: DARELL
VIN NUMBER: 1FTFX1EF3DFD49133

VEHICLE/UNIT NUMBER: P101

Remit To:
Local Fleets
PO BOX 11407 DEPT# 5938
BIRMINGHAM,AL 35246

Table with 3 columns: DESCRIPTION, QTY, PRICE. Includes items like SIGNATURE SERVICE OIL CHANGE, OIL FILTER, PZL CONV, OIL AND FILTER DISPOSAL.

SERVICE CHECKLIST

Table with 4 columns: Item, Status, Action, Status. Includes items like OIL LEVEL, CHANGE OIL FILTER, CHECK WIPER BLADES, etc.

SERVICE COMMENTS

QUALITY INSPECTION BY S. RIGGS
THANK YOU FOR CHOOSING JIFFY LUBE !!!
WE SINCERELY APPRECIATE YOUR BUSINESS
FILTER LOCATION PREVENTS 100% CLEANUP
HAVE A NICE DAY!!!

COPY

SERVICE HISTORY

Table with 4 columns: DATE, LOCATION, MILEAGE, SERVICES. Shows service history from 01/16/2019 to 09/13/2017.

PAYMENT INFORMATION

Table with 2 columns: Item, Amount. Includes TAXABLE, NONTAXABLE, GROSS SALES, NET SALES, SALES TAX, TOTAL DUE.

SERVICES PERFORMED BY:

CSA: SEAN R. TEAM LEAD: SEAN R.
UPPER BAY: SEAN R. LOWER BAY: SEAN R.
COURTESY: WILLIAM B. CASHIER: WILLIAM B.

Handwritten signature of Darell

AUTHORIZED AND RECEIVED BY

Cardholder acknowledges receipt of goods and/or services in the amount of the Total shown here on and agrees to perform the obligations set forth in the Cardholder's agreement with the issuer

MESSAGES

THANK YOU FOR CHOOSING JIFFY LUBE
DONT FORGET TO LEAVE A GOOGLE/YELP REVIEW !!!!
DISPOSAL FEE HELPS OFFSET COST INCURRED TO DISPOSE
AND RECYCLE WASTE FLUIDS AND MAY INCLUDE PROFIT

BY SIGNING, GUEST AGREES TO TERMS AND
CONDITIONS ON THE BACK OF THIS INVOICE.

22829084

ALL PARTS ARE NEW UNLESS OTHERWISE INDICATED

COPY



www.jiffylube.com

Jiffy Lube # 2074
TEAM CAR CARE WEST, LLC
309 South Washington
Kent, WA 98032
(253) 852-8515

WORK ORDER #: 26
DATE: 01/16/19 04:52 PM
INVOICE #: 240823103

Handwritten signature and date 1-21-19

Table with 3 columns: CUSTOMER INFORMATION, VEHICLE INFORMATION, and LICENSE PLATE/VIN/MILEAGE/OIL CHANGE INTERVAL.

Table with 2 columns: FLEET INFORMATION and VEHICLE/UNIT NUMBER. Includes handwritten number 02 6211 P101 120.

Table with 3 columns: DESCRIPTION, QTY, and PRICE. Lists items like SIGNATURE SERVICE OIL CHANGE, OIL FILTER, etc.

Table with 4 columns: SERVICE CHECKLIST items, status (FULL, CHANGED, OK, COMPLETED), and corresponding actions.

SERVICE COMMENTS
QUALITY INSPECTION BY G. JACKSON
THANKS FOR CHOOSING JIFFY LUBE
HAVE A NICE DAY!!!
FILTER LOCATION PREVENTS 100% CLEANUP

Table with 4 columns: SERVICE HISTORY (DATE, LOCATION, MILEAGE, SERVICES).

Table with 2 columns: PAYMENT INFORMATION (TAXABLE, NONTAXABLE, GROSS SALES, etc.) and amounts.

Table with 4 columns: SERVICES PERFORMED BY (CSA, UPPER BAY, COURTESY, TEAM LEAD, LOWER BAY, CASHIER).

Handwritten signature and 'Please Sign Here' text.

AUTHORIZED AND RECEIVED BY
Cardholder acknowledges receipt of goods and/or services in the amount of the Total shown here on and agrees to perform the obligations set forth in the Cardholder's agreement with the issuer

MESSAGES
THANK YOU FOR CHOOSING JIFFY LUBE
DONT FORGET TO LEAVE A YELP/FACEBOOK REVIEW !!!!
DISPOSAL FEE HELPS OFFSET COST INCURRED TO DISPOSE AND RECYCLE WASTE FLUIDS AND MAY INCLUDE PROFIT

BY SIGNING, GUEST AGREES TO TERMS AND CONDITIONS ON THE BACK OF THIS INVOICE.
24080244
ALL PARTS ARE NEW UNLESS OTHERWISE INDICATED





www.jiffylube.com

Jiffy Lube # 2074
TEAM CAR CARE WEST, LLC
309 South Washington
Kent, WA 98032
(253) 852-8515

WORK ORDER # 1
DATE 10/21/18 08:25 AM
INVOICE # 123484902

Handwritten number: 10-25-18

CUSTOMER INFORMATION

JR HAYES
22430 SE 231ST ST
MAPLE VALLEY, WA, 98038
(206) 550-2060

VEHICLE INFORMATION

2013
FORD TRUCKS
F150 PICKUP
5.0L 8Cyl Alternate Fuel ([F]) Fuel Injected

LICENSE PLATE WA-B73724Z
VIN: 1FTFX1EF3DFD49133
MILEAGE: 86,863
OIL CHANGE INTERVAL: 5000

FLEET INFORMATION

FLEET: JRHS224 JR HAYES AND SONS INC
AUTHORIZER NAME: DARRELL
VEHICLE/UNIT NUMBER: P101

DRIVER NAME: DARRELL
VIN NUMBER: 1FTFX1EF3DFD49133

Remit To:
Local Fleets
PO BOX 140699
IRVING, TX 75014

Handwritten: 02 6211 P101 120

Table with 3 columns: DESCRIPTION, QTY, PRICE. Includes items like SIGNATURE SERVICE OIL CHANGE, OIL FILTER, PZL CONV SAE 5W30 SN/GF5, OIL AND FILTER DISPOSAL.

SERVICE CHECKLIST

Table with 4 columns: Item, Status, Item, Status. Includes OIL LEVEL PRIOR TO SERVICE, CHANGE OIL FILTER, CHECK WIPER BLADES, etc.

SERVICE COMMENTS

QUALITY INSPECTION BY J. KELLABREW
THANKS FOR CHOOSING JIFFY LUBE
HAVE A NICE DAY!!!
FILTER LOCATION PREVENTS 100% CLEANUP

Large blue stamp: COPY

SERVICE HISTORY

Table with 4 columns: DATE, LOCATION, MILEAGE, SERVICES. Shows history from 01/10/2018 to 09/13/2017.

PAYMENT INFORMATION

Table with 2 columns: Item, Amount. Includes TAXABLE (55.08), NONTAXABLE (13.77), GROSS SALES (68.85), etc.

SERVICES PERFORMED BY:

Table with 4 columns: Role, Name, Role, Name. Lists CSA, UPPER BAY, COURTESY, TEAM LEAD, LOWER BAY, CASHIER.

MESSAGES

THANK YOU FOR CHOOSING JIFFY LUBE
DONT FORGET TO LEAVE A YELP/FACEBOOK REVIEW !!!!
DISPOSAL FEE HELPS OFFSET COST INCURRED TO DISPOSE
AND RECYCLE WASTE FLUIDS AND MAY INCLUDE PROFIT

AUTHORIZED AND RECEIVED BY

Cardholder acknowledges receipt of goods and/or services in the amount of the Total shown here on and agrees to perform the obligations set forth in the Cardholder's agreement with the issuer

BY SIGNING, GUEST AGREES TO TERMS AND
CONDITIONS ON THE BACK OF THIS INVOICE.

23683079

ALL PARTS ARE NEW UNLESS OTHERWISE INDICATED

COPY





www.jiffylube.com

Jiffy Lube # 2074
TEAM CAR CARE WEST, LLC
309 South Washington
Kent, WA 98032
(253) 852-8515

WORK ORDER #: 2
DATE: 08/30/20 08:30 AM
INVOICE #: 33083799

Handwritten initials 'AJ'

02 6211 P101 120

CUSTOMER INFORMATION

JR HAYES
22430 SE 231ST ST
MAPLE VALLEY, WA, 98038
(206) 550-2060

VEHICLE INFORMATION

2013
FORD TRUCKS
F150 PICKUP
5.0L 8Cyl Alternate Fuel ([F]) Fuel Injected

LICENSE PLATE: WA-B73724Z
VIN: 1FTFX1EF3DFD49133
MILEAGE: 112,394
OIL CHANGE INTERVAL: 3750

FLEET INFORMATION

FLEET: JRHS224 JR HAYES AND SONS INC
AUTHORIZER NAME: DARRELL
VEHICLE/UNIT NUMBER: P101
Remit To:
Local Fleets
PO BOX 11407 DEPT# 5938
BIRMINGHAM,AL 35246

DRIVER NAME: DARRELL
VIN NUMBER: 1FTFX1EF3DFD49133

Table with 3 columns: DESCRIPTION, QTY, PRICE. Includes items like SIGNATURE SERVICE OIL CHANGE, OIL FILTER, PZL QL CONV, OIL AND FILTER DISPOSAL, ANTIFREEZE/COOLANT TOP OFF, RECYCLED ANTIFREEZE.

COPY

SERVICE CHECKLIST

Table with 4 columns: Item, Status, Action, Result. Includes items like OIL LEVEL PRIOR TO SERVICE, CHANGE OIL FILTER, CHECK WIPER BLADES, etc.

SERVICE COMMENTS

QUALITY INSPECTION BY V. BLANCHARD
FILTER LOCATION PREVENTS 100% CLEANUP
HAVE A NICE DAY!!!
THANKS FOR CHOOSING JIFFY LUBE
WE SINCERELY APPRECIATE YOUR BUSINESS

PAYMENT INFORMATION

Table with 2 columns: Category, Amount. Includes TAXABLE (63.07), NONTAXABLE (15.77), GROSS SALES (78.84), NET SALES (63.07), SALES TAX (6.31), TOTAL DUE (USD\$ 69.38), Local Fleet (USD\$ 69.38).

SERVICE HISTORY

Table with 4 columns: DATE, LOCATION, MILEAGE, SERVICES. Shows service history from 09/13/2017 to 06/20/2020.

SERVICES PERFORMED BY:

CSA: AMY H. TEAM LEAD: AMY H.
UPPER BAY: VANESSA B. LOWER BAY: VANESSA B.
COURTESY: AMY H. CASHIER: AMY H.

AUTHORIZED AND RECEIVED BY

Cardholder acknowledges receipt of goods and/or services in the amount of the Total shown here on and agrees to perform the obligations set forth in the Cardholder's agreement with the issuer

MESSAGES

THANK YOU FOR YOUR VISIT
ENJOYED OUR SERVICE? PLEASE LEAVE US A GOOGLE REVIEW!
DISPOSAL FEE HELPS OFFSET COST INCURRED TO DISPOSE
AND RECYCLE WASTE FLUIDS AND MAY INCLUDE PROFIT

BY SIGNING, GUEST AGREES TO TERMS AND
CONDITIONS ON THE BACK OF THIS INVOICE.

33083798

ALL PARTS ARE NEW UNLESS OTHERWISE INDICATED

COPY



www.jiffylube.com

Jiffy Lube # 2074
TEAM CAR CARE WEST, LLC
309 South Washington
Kent, WA 98032
(253) 852-8515

WORK ORDER #: 1
DATE: 06/20/20 08:16 AM
INVOICE #: 25593294

6-25-20

Handwritten signature

CUSTOMER INFORMATION

JR HAYES
22430 SE 231ST ST
MAPLE VALLEY, WA, 98038
(206) 550-2060

VEHICLE INFORMATION

2013
FORD TRUCKS
F150 PICKUP
5.0L 8Cyl Alternate Fuel ([F]) Fuel Injected

LICENSE PLATE: WA-B73724Z
VIN: 1FTFX1EF3DFD49133
MILEAGE: 108,101
OIL CHANGE INTERVAL: 3000

FLEET INFORMATION

FLEET: JRHS224 JR HAYES AND SONS INC
AUTHORIZER NAME: TONY
VEHICLE/UNIT NUMBER: P101
Remit To:
Local Fleets
PO BOX 11407 DEPT# 5938
BIRMINGHAM,AL 35246

COPY

DRIVER NAME: DARYL
VIN NUMBER: 1FTFX1EF3DFD49133

P101

DESCRIPTION

Table with 3 columns: DESCRIPTION, QTY, PRICE. Includes items like SIGNATURE SERVICE OIL CHANGE, OIL FILTER OF2222-MO10060, PZL QL CONV 5W30 SP/GF6A, OIL AND FILTER DISPOSAL.

SERVICE CHECKLIST

Table with 4 columns: SERVICE CHECKLIST, FULL, CHANGE OIL, CHANGED. Lists various checks like OIL LEVEL PRIOR TO SERVICE, CHANGE OIL FILTER, CHECK WIPER BLADES, etc.

SERVICE COMMENTS

QUALITY INSPECTION BY C. SMITH
THANKS FOR CHOOSING JIFFY LUBE
HAVE A NICE DAY!!!
FILTER LOCATION PREVENTS 100% CLEANUP

SERVICE HISTORY

Table with 4 columns: DATE, LOCATION, MILEAGE, SERVICES. Shows service history from 11/10/2019 to 09/13/2017.

PAYMENT INFORMATION

Table with 2 columns: PAYMENT INFORMATION, Amount. Includes TAXABLE, NONTAXABLE, GROSS SALES, NET SALES, SALES TAX, TOTAL DUE.

SERVICES PERFORMED BY:

CSA: CLINTON S. TEAM LEAD: CLINTON S.
UPPER BAY: CAMERON G. LOWER BAY: CLINTON S.
COURTESY: CAMERON G. CASHIER: CLINTON S.

AUTHORIZED AND RECEIVED BY

Cardholder acknowledges receipt of goods and/or services in the amount of the Total shown here on and agrees to perform the obligations set forth in the Cardholder's agreement with the issuer

MESSAGES

THANK YOU FOR YOUR VISIT
ENJOYED OUR SERVICE? PLEASE LEAVE US A GOOGLE REVIEW!
DISPOSAL FEE HELPS OFFSET COST INCURRED TO DISPOSE
AND RECYCLE WASTE FLUIDS AND MAY INCLUDE PROFIT

BY SIGNING, GUEST AGREES TO TERMS AND
CONDITIONS ON THE BACK OF THIS INVOICE.

25593281

ALL PARTS ARE NEW UNLESS OTHERWISE INDICATED

COBY

Fugate Ford  
P.O. BOX 217  
ENUMCLAW, WA, 98022

P101

## Customer

Name JR HAYES CONSTRUCTION  
Address 22430 SE 231 ST  
City MAPLE VALLEY, WA  
Zip Code 98038  
PhoneNumber: (206) 379-7054(c)  
Email mandrosko@jrhayes.com

## Inspection

Service Order 450170  
Advisor Vince Swanson  
Tech Michael McGee

## LIGHTS

OPERATION OF EXTERIOR LIGHT BULBS, BRAKE LIGHTS AND TURN SIGNALS REQUIRES

: No  
Comments: RH FOG LIGHT, RH REVERSE AND LH LIC PLATE LIGHTS ALL OUT, RECOMMEND REPLACING

## WINDSHIELD WIPER OPERATION

WINDSHIELD WIPER AND WASHER SQUIRTER OPERATION OK

Comments:

WINDSHIELD WIPER BLADES OK

Comments: REPLACED

## HORN

HORN OPERATION OK

Comments:

## WARNING LIGHTS

WARNING LIGHTS ON THE DASH OK

Comments:

## BATTERY

BATTERY COLD CRANKING AMPS OK

Comments:

BATTERY CABLES AND TERMINAL CORROSION OK

Comments:

## Vehicle

VIN 1FTFX1EF3DFD49133  
Year 2013  
Make FORD  
Model F-150  
Engine 5.0L V8 FFV ENGINE  
Fuel  
Stock Number  
License/Stock B73724Z  
Date In 01/21/2021 9:39:10 AM  
Completed Date  
Odom 117030

## UNDER HOOD INSPECTION

ENGINE OIL LEVEL AND CONDITION OK

Comments:

ENGINE COOLANT LEVEL AND CONDITION OK

Comments:

ENGINE COOLING SYSTEM HOSES, RADIATOR VISUAL INSPECTION OK

Comments:

TRANSMISSION FLUID LEVEL AND CONDITION (IF EQUIPPED WITH A DIPSITCK) OK

Comments: FLUID EXCHANGE PERFORMED

POWER STEERING FLUID LEVEL AND CONDITION N/A

Comments:

BRAKE FLUID LEVEL AND CONDITION OK

Comments:

ENGINE AIR FILTER CONDITION OK

Comments: REPLACED

SERPENTINE BELT CONDITION OK

Comments:

## TIRES

ALIGNMENT CHECK OR WHEEL BALANCE NEEDED OK

Comments:

LEFT FRONT TIRE TREAD DEPTH / WEAR PATTERN 7/32 OR

Comments: 7/32

RIGHT FRONT TIRE TREAD DEPTH / WEAR PATTERN 7/32 OR

Comments: 8/32

LEFT REAR TIRE TREAD DEPTH / WEAR PATTERN 7/32 OR

Comments: 12/32

RIGHT REAR TIRE TREAD DEPTH / WEAR PATTERN 7/32 OR

Comments: 14/32

TIRE PRESSURE SET TO FACTORY SPECS SET TO SPECS

Comments:



Fugate Ford  
P.O. BOX 217  
ENUMCLAW, WA, 98022

## ANY ADDITIONAL COMMENTS

ADDITIONAL COMMENTS OK

Comments:

## UNDER VEHICLE INSPECTION

SHOCKS / STRUTS OK

Comments:

STEERING LINKAGE COMPONENTS OK

Comments:

SUSPENSION COMPONENTS AND BALL JOINTS OK

Comments:

EXHAUST LEAKS AND EXHAUST SYSTEM VISUAL INSPECTION OK

Comments:

DRIVE SHAFT UNIVERSAL JOINTS AND CONSTANT VELOCITY (CV) BOOTS VISUAL INSPECTION OK

Comments:

ENGINE OIL, COOLANT LEAKS, OR A/C LEAKS OK

Comments:

TRANSMISSION / AWD FLUID LEAKS OK

Comments:

DRIVE AXLE LEAKS OK

Comments:

POWER STEERING FLUID LEAKS N/A

Comments:

## OIL CHANGE REMINDERS

RESET OIL CHANGE REMINDER YES

NEW LUBE STICKER FOR WINDSHIELD YES

RETRAIN TPMS AFTER TIRE ROTATE - IF REQUIRED

## BRAKES

BRAKES NOT CHECKED ON THIS VISIT

Comments:

LEFT FRONT BRAKE PAD THICKNESS 3MM OR LESS

Comments: 2MM, RECOMMEND FRONT BRAKE JOB

RIGHT FRONT BRAKE PAD THICKNESS 3MM OR LESS

Comments: 2MM, RECOMMEND FRONT BRAKE JOB, MEASURED ROTORS, OKAY TO TURN

LEFT REAR BRAKE PAD THICKNESS 6MM OR

Comments: 6MM

RIGHT REAR BRAKE PAD THICKNESS 6MM OR

Comments: 6MM

*Done*



www.jiffylube.com

Jiffy Lube # 2074  
TEAM CAR CARE WEST, LLC  
309 South Washington  
Kent, WA 98032  
(253) 852-8515

WORK ORDER #: 1  
DATE: 04/23/22 07:07 AM  
INVOICE #: 34479241

02 6209 P101 120

CUSTOMER INFORMATION      VEHICLE INFORMATION

JR HAYES      2013      LICENSE PLATE: WA-B73724Z  
22430 SE 231ST ST      FORD TRUCKS      VIN: 1FTFX1EF3DFD49133  
MAPLE VALLEY, WA, 98038      F150 PICKUP      MILEAGE: 127,612  
(206) 550-2060      5.0L 8Cyl Alternate Fuel (IF) Fuel Injected      OIL CHANGE INTERVAL: 5000

FLEET INFORMATION

FLEET: JRHS224 JR HAYES AND SONS INC  
AUTHORIZER NAME: TONY      DRIVER NAME: DARREL  
VEHICLE/UNIT NUMBER: P101      VIN NUMBER: 1FTFX1EF3DFD49133  
Remit To:  
Local Fleets  
PO BOX 11407 DEPT# 5938  
BIRMINGHAM,AL 35246

DESCRIPTION	QTY	PRICE
SIGNATURE SERVICE OIL CHANGE		52.99
ECO OIL FILTER X2222	1.00	
PZL QL CONV 5W30 SP/GF6A	7.70	18.87
SHOP SUPPLY/WASTE DISPOSAL	1.00	4.99

SERVICE CHECKLIST

OIL LEVEL PRIOR TO SERVICE      FULL      TIRE PRESSURE      F35 R35

SERVICE COMMENTS

QUALITY INSPECTION BY C. SMITH  
THANKS FOR CHOOSING JIFFY LUBE  
HAVE A NICE DAY!!!  
FILTER LOCATION PREVENTS 100% CLEANUP

COPY

SERVICE HISTORY

DATE	LOCATION	MILEAGE	SERVICES
10/16/2021	2074	121954	VOB
08/30/2020	2074	112394	SS TOA
06/20/2020	2074	108101	SS
11/10/2019	2074	102267	SS
07/28/2019	2074	98873	SS
01/16/2019	2074	92206	SS
10/21/2018	2074	86863	SS
01/10/2018	3178	78978	AF SS

PAYMENT INFORMATION

TAXABLE	61.48
NONTAXABLE	15.37
GROSS SALES	76.85
FLB20%	-15.37
NET SALES	61.48
SALES TAX	6.21
TOTAL DUE	USD\$ 67.69
Local Fleet	USD\$ 67.69

SERVICES PERFORMED BY:

CSA: CLINTON S.      TEAM LEAD: CLINTON S.  
UPPER BAY: JUSTIN K.      LOWER BAY: JUSTIN K.  
COURTESY: CLINTON S.      CASHIER: CLINTON S.

AUTHORIZED AND RECEIVED BY

Cardholder acknowledges receipt of goods and/or services in the amount of the Total shown here on and agrees to perform the obligations set forth in the Cardholder's agreement with the issuer

MESSAGES

JOIN OUR TEAM BY TEXTING JIFFY TO 97211 TO APPLY  
ENJOY YOUR SERVICE? PLEASE LEAVE US A GOOGLE REVIEW!  
DISPOSAL FEE HELPS OFFSET COST INCURRED TO DISPOSE  
AND RECYCLE WASTE FLUIDS AND MAY INCLUDE PROFIT

BY SIGNING, GUEST AGREES TO TERMS AND  
CONDITIONS ON THE BACK OF THIS INVOICE.

40647822







www.jiffylube.com

Jiffy Lube # 2074
TEAM CAR CARE WEST, LLC
309 South Washington
Kent, WA 98032
(253) 852-8515

WORK ORDER #: 1
DATE: 10/16/21 08:11 AM
INVOICE #: 34460302

10/19/21

02 6209 P101 120

[Signature]

CUSTOMER INFORMATION VEHICLE INFORMATION

JR HAYES 2013 LICENSE PLATE: WA-B73724Z
22430 SE 231ST ST FORD TRUCKS VIN: 1FTFX1EF3DFD49133
MAPLE VALLEY, WA, 98038 F150 PICKUP MILEAGE: 121,954
(206) 550-2060 5.0L 8Cyl Alternate Fuel ((F)) Fuel Injected OIL CHANGE INTERVAL: 1

FLEET INFORMATION

FLEET: JRHS224 JR HAYES AND SONS INC
AUTHORIZER NAME: MIKE DRIVER NAME: DARRELL
VEHICLE/UNIT NUMBER: P101 VIN NUMBER: 1FTFX1EF3DFD49133
Remit To:
Local Fleets
PO BOX 11407 DEPT# 5938
BIRMINGHAM,AL 35246

COPY

P101

Table with columns: DESCRIPTION, QTY, PRICE. Rows include VALUE OIL CHANGE BLEND (69.99), ECO OIL FILTER X2500 (24.27), PZL GLD SAE 5W20 SP/GF6 DEXOS1 OIL AND FILTER DISPOSAL (3.99).

SERVICE CHECKLIST

OIL LEVEL PRIOR TO SERVICE FULL TIRE PRESSURE F40 R40

SERVICE COMMENTS

QUALITY INSPECTION BY C. MUNDIGLER
FILTER LOCATION PREVENTS 100% CLEANUP
THANK YOU FOR CHOOSING JIFFY LUBE !!!
HAVE A NICE DAY!!!
RADIATOR SERVICE RECOMMENDED
PLEASE LET US KNOW IF YOU'D LIKE TO HAVE DONE NEXT SERVICE

SERVICE HISTORY

Table with columns: DATE, LOCATION, MILEAGE, SERVICES. Rows show service history from 08/30/2020 to 09/13/2017.

PAYMENT INFORMATION

Table with columns: CATEGORY, AMOUNT. Rows include TAXABLE (78.60), NONTAXABLE (19.65), GROSS SALES (98.25), FLB20% (-19.65), NET SALES (78.60), SALES TAX (7.94), TOTAL DUE (USD\$ 86.54), Local Fleet (USD\$ 86.54).

SERVICES PERFORMED BY:

CSA: CHRIS M. TEAM LEAD: CHRIS M.
UPPER BAY: CLINTON S. LOWER BAY: JUSTIN K.
COURTESY: CLINTON S. CASHIER: CHRIS M.

AUTHORIZED AND RECEIVED BY

Cardholder acknowledges receipt of goods and/or services in the amount of the Total shown here on and agrees to perform the obligations set forth in the Cardholder's agreement with the issuer

MESSAGES

JOIN OUR TEAM BY TEXTING JIFFY TO 97211 TO APPLY
ENJOY YOUR SERVICE? PLEASE LEAVE US A GOOGLE REVIEW!
DISPOSAL FEE HELPS OFFSET COST INCURRED TO DISPOSE
AND RECYCLE WASTE FLUIDS AND MAY INCLUDE PROFIT

BY SIGNING, GUEST AGREES TO TERMS AND
CONDITIONS ON THE BACK OF THIS INVOICE.

38044344

ALL PARTS ARE NEW UNLESS OTHERWISE INDICATED

COPY

Fugate Ford  
P.O. BOX 217  
ENUMCLAW, WA, 98022

## Customer

Name J.R. HAYES AND SONS INC  
Address 22430 SE 231 ST  
City MAPLE VALLEY, WA  
Zip Code 98038  
PhoneNumber (206) 379-7054(c)  
Email mandrosko@jrhayes.com

## Inspection

Service Order 466733  
Advisor Katie Vick-Fiala  
Tech

## LIGHTS

OPERATION OF EXTERIOR LIGHT BULBS,  
BRAKE LIGHTS AND TURN SIGNALS OK

: No  
Comments:

## WINDSHIELD WIPER OPERATION

WINDSHIELD WIPER AND WASHER  
SQUIRTER OPERATION OK

Comments:

WINDSHIELD WIPER BLADES OK

Comments:

## HORN

HORN OPERATION OK

Comments:

## WARNING LIGHTS

WARNING LIGHTS ON THE DASH OK

Comments:

## BATTERY

BATTERY COLD CRANKING AMPS OK

Comments:

BATTERY CABLES AND TERMINAL  
CORROSION OK

Comments:

## Vehicle

VIN 1FTFX1EF3DFD49133  
Year 2013  
Make FORD  
Model F-150  
Engine 5.0L V8 FFV ENGINE  
Fuel  
Stock Number  
License/Stock B73724Z  
Date In 08/23/2022 9:09:58 AM  
Completed Date  
Odom 133412

plol

## UNDER HOOD INSPECTION

ENGINE OIL LEVEL AND CONDITION OK

Comments:

ENGINE COOLANT LEVEL AND  
CONDITION OK

Comments:

ENGINE COOLING SYSTEM HOSES,  
RADIATOR VISUAL INSPECTION OK

Comments:

TRANSMISSION FLUID LEVEL AND  
CONDITION (IF EQUIPPED WITH A  
DIPSITCK) OK

Comments:

POWER STEERING FLUID LEVEL AND  
CONDITION OK

Comments:

BRAKE FLUID LEVEL AND CONDITION OK

Comments:

ENGINE AIR FILTER CONDITION OK

Comments:

SERPENTINE BELT CONDITION OK

Comments:

## TIRES

ALIGNMENT CHECK OR WHEEL  
BALANCE NEEDED OK

Comments:

LEFT FRONT TIRE TREAD DEPTH / WEAR  
PATTERN 7/32 OR

Comments: 15/32

RIGHT FRONT TIRE TREAD DEPTH /  
WEAR PATTERN 7/32 OR

Comments: 15/32

LEFT REAR TIRE TREAD DEPTH / WEAR  
PATTERN 7/32 OR

Comments: 13/32

RIGHT REAR TIRE TREAD DEPTH / WEAR  
PATTERN 7/32 OR

Comments: 13/32

TIRE PRESSURE SET TO FACTORY  
SPECS SET TO SPECS

Comments: 35PSI

Fugate Ford  
P.O. BOX 217  
ENUMCLAW, WA, 98022

## ANY ADDITIONAL COMMENTS

ADDITIONAL COMMENTS OK

Comments:

## UNDER VEHICLE INSPECTION

SHOCKS / STRUTS OK

Comments:

STEERING LINKAGE COMPONENTS OK

Comments:

SUSPENSION COMPONENTS AND BALL JOINTS OK

Comments:

EXHAUST LEAKS AND EXHAUST SYSTEM VISUAL INSPECTION OK

Comments:

DRIVE SHAFT UNIVERSAL JOINTS AND CONSTANT VELOCITY (CV) BOOTS VISUAL INSPECTION OK

Comments:

ENGINE OIL, COOLANT LEAKS, OR A/C LEAKS OK

Comments:

TRANSMISSION / AWD FLUID LEAKS OK

Comments:

DRIVE AXLE LEAKS OK

Comments:

POWER STEERING FLUID LEAKS OK

Comments:

## OIL CHANGE REMINDERS

RESET OIL CHANGE REMINDER YES

NEW LUBE STICKER FOR WINDSHIELD YES

RETRAIN TPMS AFTER TIRE ROTATE - IF REQUIRED YES

## BRAKES

BRAKES NOT CHECKED ON THIS VISIT

Comments:

LEFT FRONT BRAKE PAD THICKNESS 4MM-5MM

Comments: 4MM

RIGHT FRONT BRAKE PAD THICKNESS 4MM-5MM

Comments: 4MM

LEFT REAR BRAKE PAD THICKNESS 4MM-5MM DISC

Comments: 5MM

RIGHT REAR BRAKE PAD THICKNESS 4MM-5MM DISC

Comments: 5MM